

K-401-D

FIRE HYDRANT

Dry Barrel Type



PRODUCT DESCRIPTION

General	Used to supply water from underground water mains to fire hoses
Standard	Meets requirements of AWWA / ANSI C502
Pressure Rating	250 psi [17.2 Bar]
End Connection	6" Flanged Shoe to ANSI B16.1, Class 125
Coating	Epoxy Painted
Features	Traffic feature, stainless steel Stem safety Coupling Dry top design with O-ring sealed Oil Reservoir
Approvals	UL Listed and FM Approved



NOZZLE INFORMATION

Style	Hose Outlet	Pumper Outlet	Way
2H-0P-0M2W	(2) x 2.5"	-	2-Way
2H-1P-0M3W	(2) x 2.5"	(1) x 4.5"	3-Way
3H-1P-0M4W	(3) x 2.5"	(1) x 4.5"	4-Way
4H-0P-0M4W	(4) x 2.5"	-	4-Way
2H-2P-0M4W	(2) x 2.5"	(2) x 4.5"	4-Way

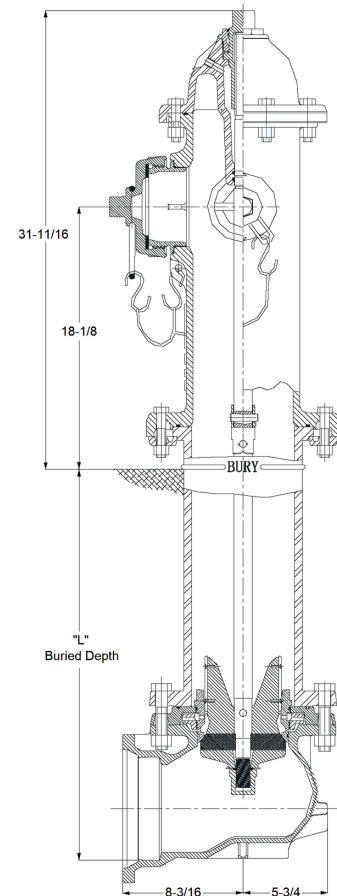
- **Standard :**
(2) x Hose Nozzles : 2.5" NST.
(1) x Pumper Nozzle : 4.5" NST.

BURIED DEPTH

- Available multiple buried depths "L".

Options	A	B	C	D	E
L	1'-0"	2'-0"	3'-0"	3'-6"	4'-0"

Options	F	G	H	I	J
L	4'-6"	5'-0"	5'-6"	6'-0"	6'-6"



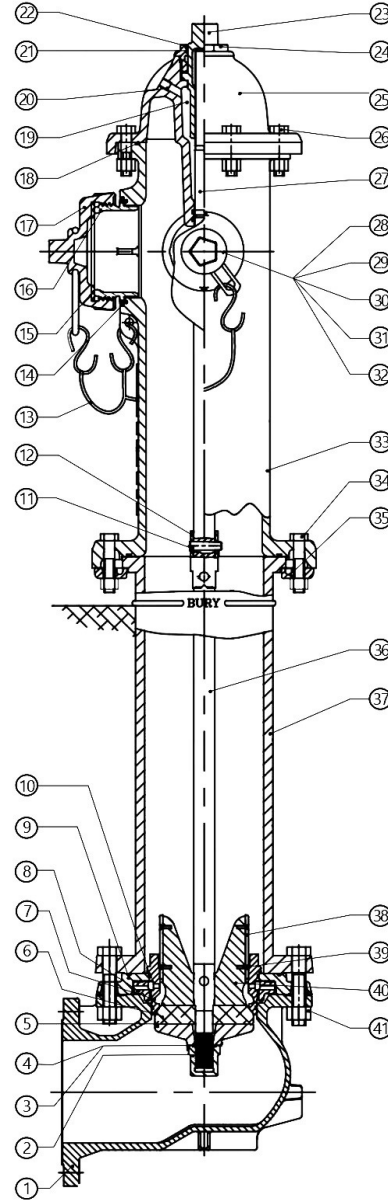
K-401-D

FIRE HYDRANT Dry Barrel Type



MATERIAL SPECIFICATIONS

No.	Part Name	Material
1	Elbow	Ductile Iron A536 Grade 65-45-12
2	Nut	Ductile Iron A536 Grade 65-45-12
3	Nut Seal	Rubber D2000 NBR
4	Lock Washer	Stainless Steel A276 Grade 304
5	Valve Bottom Plate	Ductile Iron A536 Grade 65-45-12
6	Main Valve	Rubber D2000 NBR
7	Seat Ring	Bronze B62 C83600
8	Drain Ring	Bronze B62 C83600
9	Drain Ring Housing	Gray Cast Iron A126 Class B
10	O-Ring	Rubber D2000 NBR
11	Clevis Pin	Stainless Steel A276 Grade 304
12	Safety Coupling	Stainless Steel A890
13	Cap Chain	Carbon Steel A105
14	Pumper Nozzle O-Ring	Rubber D2000 NBR
15	Pumper Nozzle Gasket	Rubber D2000 NBR
16	Pumper Nozzle	Bronze B62 C83600
17	Pumper Nozzle Cap	Gray Cast Iron A126 Class B
18	O-Ring	Rubber D2000 NBR
19	Lubricating Oil	GUARDIAN 20 USP WHITE OIL
20	Oil Plug	Brass B124 C37700
21	O-Ring	Rubber D2000 NBR
22	Scraper Seal	Rubber D2000 NBR
23	Operating Nut	Bronze B62 C83600
24	Hold Down Nut	Bronze B62 C83600
25	Bonnet	Gray Cast Iron A126 Class B
26	Bolts and Nuts	Stainless Steel F593 & F594 Grade 304
27	Upper Rod	Carbon Steel A29 1045
28	Hose Nozzle	Bronze B62 C83600
29	Hose Nozzle Cap	Gray Cast Iron A126 Class B
30	Hose Nozzle Gasket	Rubber D2000 NBR
31	O-Ring	Rubber D2000 NBR
32	Set Screw	Stainless Steel F593 Grade 304
33	Standpipe Upper	Ductile Iron A536 Grade 65-45-12
34	Bolts & Nuts	Stainless Steel F593 & F594 Grade 304



35	Safety Flange	Gray Cast Iron A126 Class B
36	Lower Rod	Carbon Steel A29 1045
37	Standpipe Lower	Ductile Iron A536 Grade 65-45-12
38	Drain Valve Facing	Plastic HDPE
39	Set Screw	Stainless Steel F593 Grade 304
40	Valve Top Plate	Bronze B148 C95200
41	Bolts & Nuts	Stainless Steel F593 & F594 Grade 304