

K-501-T K-502-T

SUPERVISORY SWITCH

For OS&Y Gate Valves



PRODUCT DESCRIPTION

General	Used to monitor the open position of an OS&Y gate valve
Size	Mount to valves 2" through 12" size
Features	One or Two Single Pole Double Throw (SPDT) switches For Indoor or Outdoor use with IP Rating: 67 Tamper Resistant Cover Screws to prevent the unauthorized entry
Service Use	NFPA; 13, 13D, 13R, 72
Approvals	UL Listed and FM Approved

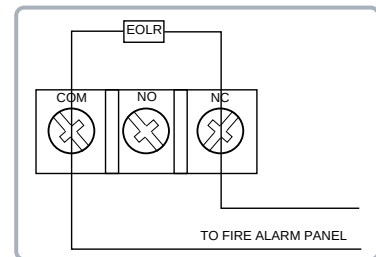
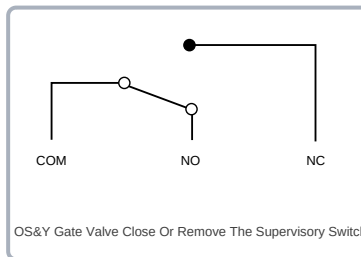
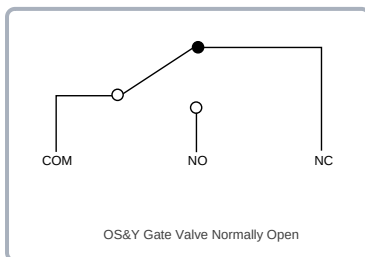
TECHNICAL SPECIFICATIONS

Enclosure	Cover: Aluminum, Ra3000 FBE Coated Base: Aluminum All parts have corrosion resistant finishes
Environmental Limitations	-40°C to 60°C IP Rating 67
Contact Ratings	K-501-T : One Set of SPDT K-502-T : Two Sets of SPDT 10 Amps @ 125/250 VAC 2.5 Amps @ 30 VDC Resistive
Conduit Entrances	One Knockouts and one hole for ½" conduit provided
Weight	1.33 lbs [0.6 kg]

TESTING

The operation of the Supervisory Switch and its associated protective monitoring system shall be inspected, tested, and maintained in accordance with all applicable local and national codes and standards and the AHJ. The manufacturer recommends quarterly or more frequently. A minimum test shall consist of turning the valve wheel towards the closed position.

TYPICAL ELECTRICAL CONNECTIONS



THEORY OF OPERATION

The Supervisory Switch is a 3-position switch. The center position is the normal installation position. Normal is when the switch is installed on the OS&Y valve, the valve is fully open, and the trip rod of the Supervisory Switch is in the groove of the valve stem.

Closing the valve causes the trip rod to ride up out of the groove and activates the switch. Removing the Supervisory Switch from the valve causes the spring to pull the trip rod in the other direction and activates the switch.

The Supervisory Switch shall operate within the first two revolutions of the wheel. Fully close the valve and ensure that the Supervisory Switch does not restore. Fully open the valve and ensure that the Supervisory Switch restores to normal only when the valve is fully opened.

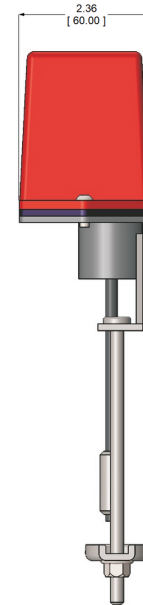
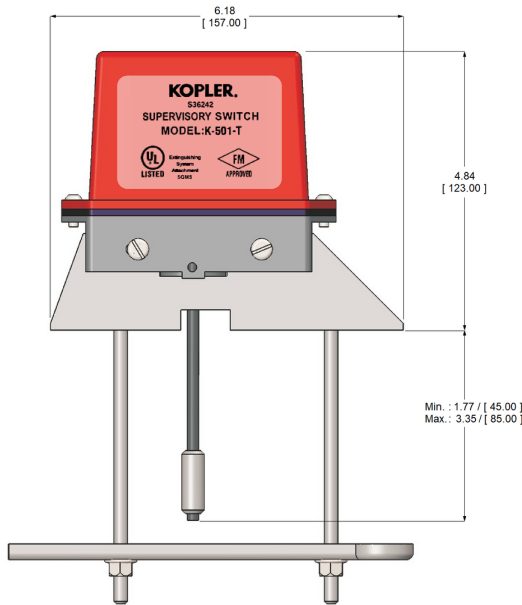


K-501-T
K-502-T

SUPERVISORY SWITCH
For OS&Y Gate Valves



DIMENSIONS



MATERIAL SPECIFICATIONS

No.	Part Name	Material
1	Cover	Aluminum Alloy B85 A04130
2	Frame	Carbon Steel
3	Spring	Stainless Steel A276 Grade 304
4	Screw	Stainless Steel F593 Grade 304
5	Limit Striker	Flame Retardant PC
6	Swing	Flame Retardant PC
7	Anti-Theft Bolt	Stainless Steel F593 Grade 304
8	Gasket	Rubber D2000 EPDM
9	Bottom Plate	Aluminum Alloy B85 A04130
10	Rod	Stainless Steel A276 Grade 304
11	Stop Collar	Stainless Steel A276 Grade 304
12	Trundle	Stainless Steel A276 Grade 304
13	Bracket	Carbon Steel
14	O-Ring	Rubber D2000 NBR
15	Screw	Stainless Steel F593 Grade 304
16	Screw	Stainless Steel F593 Grade 304
17	Fix Block	Flame Retardant PC
18	Switch	Assembly
19	Screw	Stainless Steel F593 Grade 304

